

Silicon NPN Power Transistors

BUV48C

DESCRIPTION

- With TO-3PN package.
- High voltage.
- Fast switching speed.

APPLICATIONS

- Linear and switching industrial equipment.

PINNING

PIN	DESCRIPTION
1	Base
2	Collector;connected to mounting base
3	Emitter

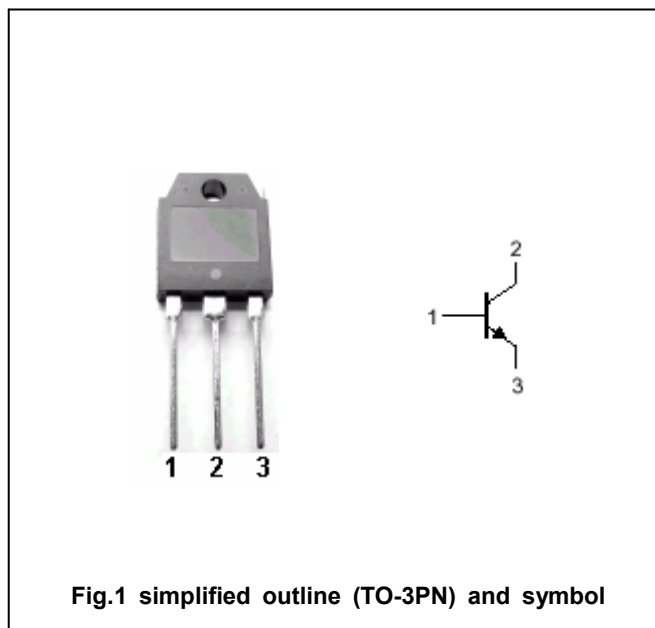


Fig.1 simplified outline (TO-3PN) and symbol

Absolute maximum ratings (Ta=25°C)

SYMBOL	PARAMETER	CONDITIONS	VALUE	UNIT
V _{CBO}	Collector-base voltage	Open emitter	1200	V
V _{CEO}	Collector-emitter voltage	Open base	700	V
V _{EBO}	Emitter-base voltage	Open collector	7	V
I _C	Collector current		15	A
I _{CM}	Collector current -peak	t _p <5ms	30	A
I _B	Base current		4	A
I _{BM}	Base current-peak	t _p <5ms	20	A
P _C	Collector power dissipation	T _C =25°C	125	W
T _j	Junction temperature		150	°C
T _{stg}	Storage temperature		-65~150	°C

THERMAL CHARACTERISTICS

SYMBOL	PARAMETER	MAX	UNIT
R _{th j-case}	Thermal resistance junction case	1.0	°C/W

Silicon NPN Power Transistors

BUV48C

CHARACTERISTICS

T_j=25°C unless otherwise specified

SYMBOL	PARAMETER	CONDITIONS	MIN	TYP.	MAX	UNIT
V _{CEQ(SUS)}	Emitter-base sustaining voltage	I _C =100mA; I _B =0	700			V
V _{CEsat-1}	Collector-emitter saturation voltage	I _C =6A; I _B =1.5A			1.5	V
V _{CEsat-2}	Collector-emitter saturation voltage	I _C =10A; I _B =4A			3	V
V _{BEsat-1}	Base-emitter saturation voltage	I _C =6A; I _B =1.5A			1.5	V
V _{BEsat-2}	Base-emitter saturation voltage	I _C =10A; I _B =4A			2	V
I _{CES}	Collector cut-off current	V _{CE} =1200V; V _{BE} =0 T=125°C			0.5 3	mA
I _{CEO}	Collector cut-off current	V _{CE} =700V; I _C =0			1	mA
I _{EBO}	Emitter cut-off current	V _{EB} =6V; I _C =0			1	mA
h _{FE}	DC current gain	I _C =1A; V _{CE} =5V	15		50	

Switching times:

t _{on}	Turn-on time	I _C =6A; I _{B1} =- I _{B2} =1.5A V _{CC} =250V		0.5	1.0	μs
t _s	Storage time			1.5	3.0	μs
t _f	Fall time			0.2	0.7	μs

Silicon NPN Power Transistors

BUV48C

PACKAGE OUTLINE

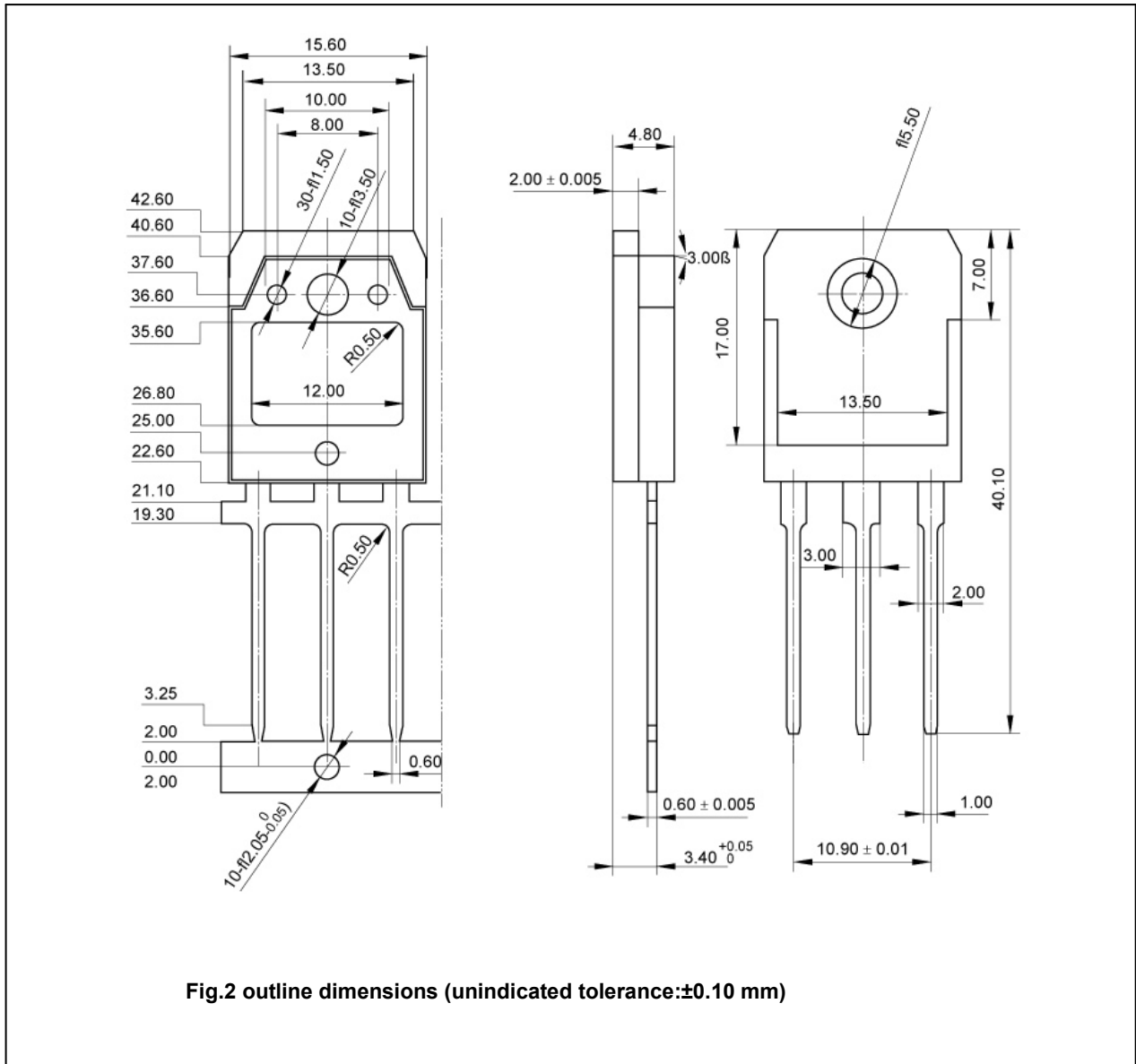


Fig.2 outline dimensions (unindicated tolerance:±0.10 mm)